

1/4" 10X Day & Night Mini PTZ Color Dome Camera



Surface Mount

Flush Mount

Features

- 1/4" IT Color CCD with 410K(N) and 470K(P) pixels
- Auto focus 10X optical zoom (10X digital Zoom)
- Day & Night with ICR
- 360° continuous rotation
- Clear image of 530TV lines (B/W: 580TV line)
- Noiseless low light image with SDNR
- Excellent Impact-Resistant and Rain/Wind-Proof Design
- 165 preset Positions
- 8 group tours, 8 patterns (Total 480 seconds)
- Auto Flip Function, Auto Scan, Privacy Zone
- Alarm on action
- Max. 200°/sec Pan & 200°/sec Tilt speed

Main Functions

10X Zoom AF Optical Zoom

The new Mini-PTZ can effectively monitor a subject in a remote area with a built-in 10x auto focus optical zoom lens. Combined with a 10x digital zoom, it realizes a total zoom capability up to 100x enabling users to identify a distant object more clearly. In addition, installation has got much easier due to the powerful zoom function and service monitoring output support, ensuring optimal positioning of the camera.



High Resolution 530TV lines

The camera employs unique DSP chipset and high performance CCD sensor to capture high-resolution images of 530TV lines in color. And it achieves higher resolution of 570TV lines by automatically switching to monochrome mode at night for clearer identification.



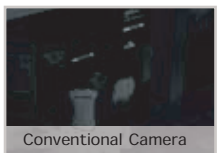
Conventional Camera



530TV line

Day & Night with High Sensitivity of 0.0005Lux

Day & Night Function with the infrared Cut filter Removal (ICR) method implements color images by day and switches automatically to 570TV lines B/W mode with high resolution at night. The minimum light has been brought down to 0.005Lux, and low light associated noise and image dragging (ghosting) have been drastically reduced by applying SDNR technology.



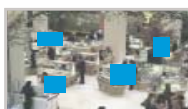
Conventional Camera



Mini-PTZ

Privacy Masking

When the Mini-PTZ is observing a wide area, the captured images can be "masked" for privacy purpose. Users can easily configure the size and position of up to 4 required privacy zones.



Enhanced Backlight Compensation

Mini-PTZ supports more enhanced BLC function so that the image of a subject is not blurred to avoid the optimized exposure in back light. When installed in the lobbies of large buildings, this camera accurately identified a subject.



Conventional Camera



Mini-PTZ

Superior Auto White Balance

The range of lighting conditions for automatic white has been expanded to 1,800°K ~ 10,500°K, enabling balanced implementation of original colors under sodium lights such as a tunnel of motorway.



Excellent Impact-Resistant and Rain/ Wind-Proof Design

The Mini-PTZ has a high strength and durable exterior material of die-cast aluminum main body and polycarbonate dome. With excellent durability that passes the strict international UL standard test, the camera performs its functions regardless of intentional damages to the camera. With dust and rain resistant design which meets the IP66, the unit can prevent rapid aging and frequent malfunctions of the dome.



Flexible 165 Preset Position & Auto-Surveillance

Mini-PTZ dome delivers surveillance coverage of a wide area by pre-setting to a maximum of 165 positions; this enables the user to preset the area to be monitored at any time. Users need only select the important sectors to be surveyed carefully. Users can control the speed and dwelling time of pan swing and tilt swing, and the preset positions can be set by group tour sequence.

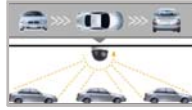
165 preset position : 16-character label available for each position with different speed
 16-character label available for each position with different speed steps
 8 Patterns Trace : Allows manual operation for about 480 seconds
 8 Group Tours : Switches and checks 64 presets on each group tour
 Auto Swing : Repeat pan and tilt between two preset position



1/4" 10X Day & Night Mini PTZ Color Dome Camera

Auto Flip Function

The Auto-Flip feature positions the camera for continuous viewing of any subject that passes directly beneath the dome. This function enables the dome to automatically turn 180° when the camera tilts to its lower limits.



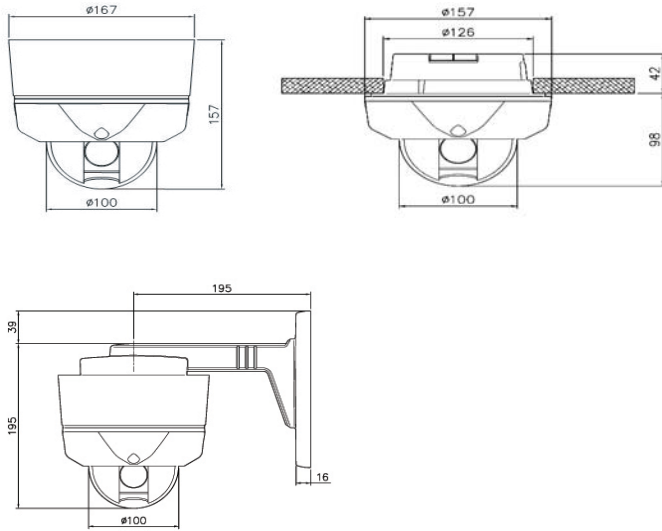
Alarm on Action

4 Alarms can be individually programmed for three priority levels to initiate stored pattern or to go to an associated preset when received. The dome furthermore provides 2 relay contacts for controlling components.

Intelligent Pan/Tilt Controlling

This function changes the pan and tilt speed automatically according to the zoom magnification to create a perfect image without any distortion. The pan/tilt speed slows down (15 seconds per revolution) in tele-mode and speeds up (3 seconds per revolution) in wide mode.

Dimension (Unit : mm)



Optional Accessories



Technical Specifications

MODEL		Mini-PTZ	
PAN/TILT	Pan Rotation Angle	360° Endless	
	Pan Speed	Manual	100° ~ 150°/sec
		Preset	Max 200° /sec
	Tilt Rotation Angle	0° ~ 90°	
	Tilt Speed	Manual	100° ~ 150°/sec (64step)
Preset		Max 200° /sec	
System Accuracy		0.02°	
FUNCTIONS	Presets	165 positions with different speed steps	
	Group Tour	Max. 8 Programmable group tours	
	Auto scan	Programmable Auto Scan	
	Pattern	8 programmable Patterns	
	Privacy Zone	4 privacy Zones	
	Sector	8 selectable Sectors	
	Password Protection	Yes	
	Alarm Input	4 alarms OFF/NC/NO	
	Alarm Actions	Activate preset, Group scanning or Output per alarm input	
	Aux Output	2 replay Output	
	Auto Flip	ON / OFF	
	OSD Menu	Multiple Languages on screen	
	Communication	RS-485	
	Protocol	Pelco D/P	
POWER	Power Consumption	9W Max	
	Power Supply	DC12V 750mA	
OTHERS	Construction	Die-casting, Anti-vandal dome cover	
	Dimensions	158.8Ø(D) * 163mm(H)	
	Weight	1.5 kg	
	Motor Type	Stepper Motor	
	Micro Steps	1/4 Micro Step	
	Operating Temp.	0°C ~ +50°C	
	Operating Humidity	30% ~ 80% RH	
Certifications	CE, FCC, ROHS compliant		
CAMERA MODULE	Image Sensor	1/4" Sony Super HAD CCD	
	Total Image Pixels	NTSC	811(H) * 508(V) 410K
		PAL	795(H) * 596(V) 470K
	Number Of Effective Pixels	NTSC	768(H) * 494(V) 380K
		PAL	752(H) * 582(V) 440K
	Horizontal resolution	More Than 530TV Lines	
	Lens	Optical	10x Optical Zoom (F1.8, f=3.9-38.0mm)
		Digital	10x (100x with optical)
	Day & Night (ICR)	Auto/ Day/ Night	
	Min. Focus Distance	1.5m	
	Digital Slow Shutter	Auto / OFF (2X ~ 128X)	
	Min. Illumination	Color	0.7Lux @ F1.8, 0.005Lux (Disgital Slow Shutter on)
		B/W	0.02Lux @ F1.8
	Luminance S/N Ratio	More than 50dB (AGE)	
	Video Output	CVBS: 1.0Vp-p/75Ω (VBS EXT)	
	BLC	ON / OFF	
	Flickerless	NTSC	ON / OFF (1/100)
PAL		ON / OFF (1/120)	
WHITE BALANCE	AWB/ATW/INDOOR/ OUTDOOR		